

IPC2150-AN

1.3MP HD Network Varifocal IR Bullet Camera

KEDACOM



Features

Excellent Image Quality

- 1.3 Megapixel 1/3" progressive scan CMOS Sensor
- High definition and smooth picture, 960p@30fps
- H.264 high profile video codec, saves up to 30% bandwidth and storage
- Low illumination, 0.01lux with color picture
- WDR / 3D noise reduction / Automatic Iris

Integrated High Efficiency IR

- Industrial IR LED with long operational lifespan
- 60 ~ 70m IR distance
- Smart IR function

A Variety of Installation Modes

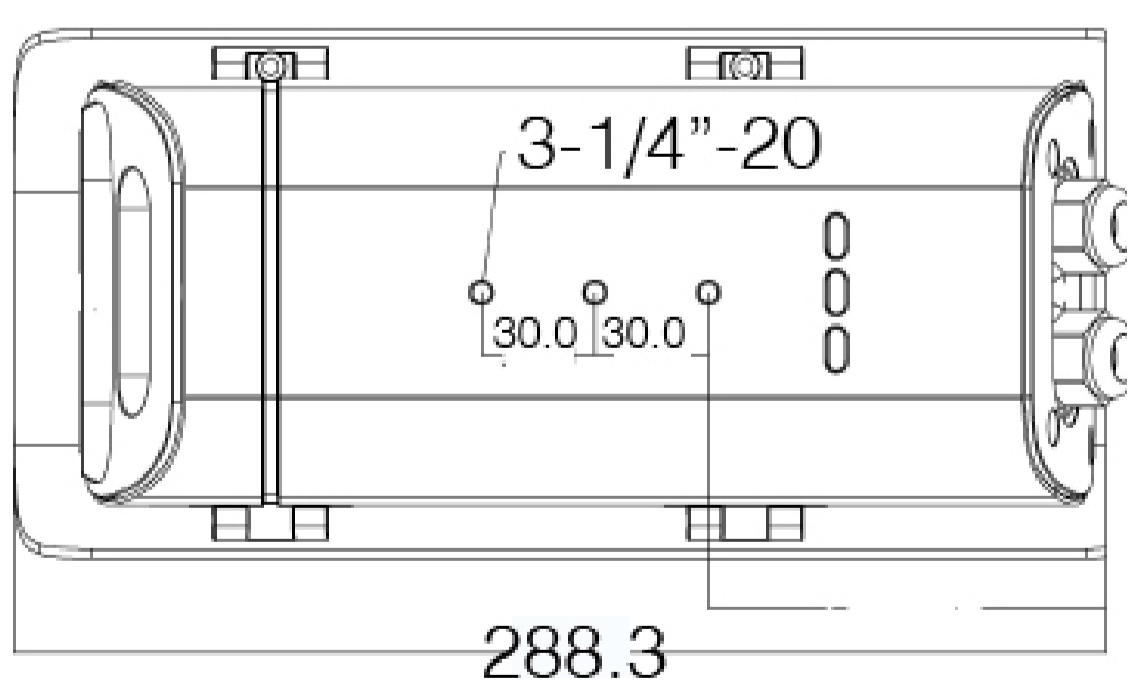
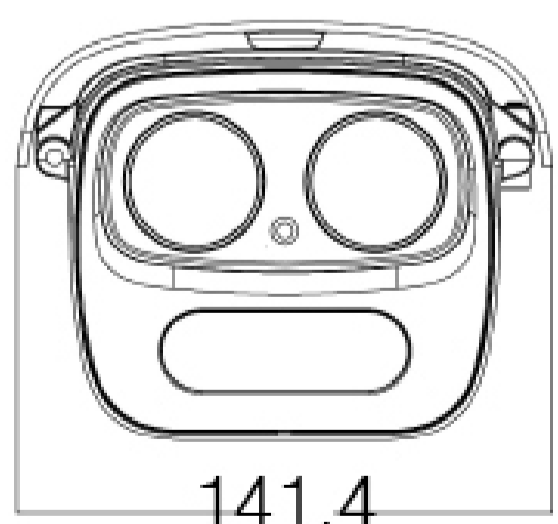
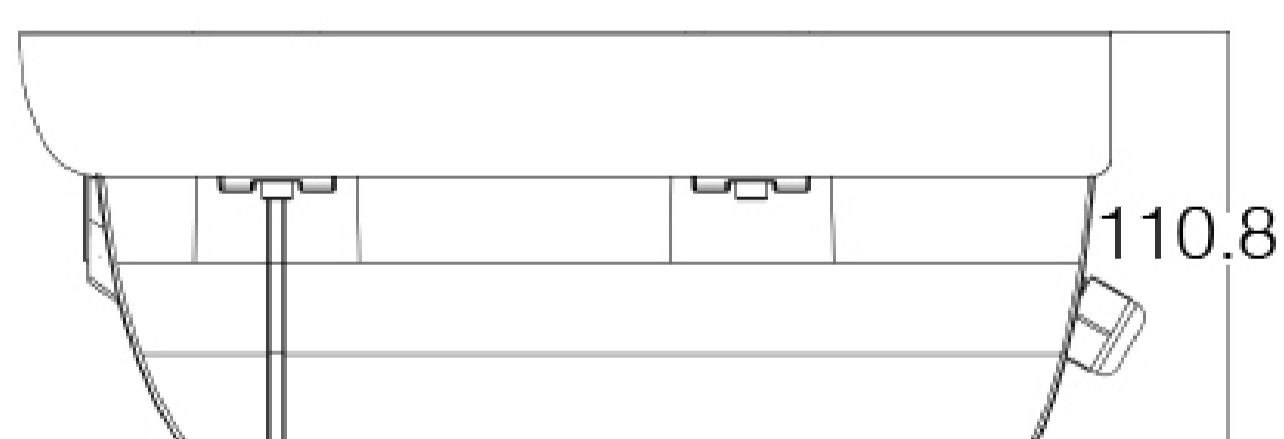
- Supports 90°, 180°, 270° image rotation
- Varifocal lens (Manual / Motorized)

Abundant Functions and Features

- Supports Automatic Network Replenishment (ANR)
- Dual-stream (960p + D1)
- Bi-directional audio / alarm in and out / video out / RS485
- One click autofocus (-IR2 only)
- -40°C ~ 70°C operating temperature
- IP66

Dimensions

Units: mm



Specifications

Model	IPC2150-AN (-IR1, -IR2)
Camera	
Image Sensor	1/3" progressive scan CMOS
Pixels	1.3 Megapixel
Min. Illumination	Color: 0.01lux @ (F1.4, AGC ON) B/W: 0lux with IR
Shutter Speed	1/10 ~ 1/10,000s
Day / Night	Auto (ICR) / Color / B/W
Wide Dynamic Range	Digital WDR
S/N Ratio	>53dB
White Balance	Auto / Manual
Gain Control	Auto / Manual
Backlight Compensation	Off / BLC / WDR
Lens	
Mount Type	φ14
Automatic Iris	DC drive
Focal Length	-IR1: 7 ~ 22mm @ F1.4 manual varifocal lens -IR2: 7 ~ 22mm @ F1.4 motorized varifocal lens
Focus Control	-IR1: Manual -IR2: Manual / Semi-Automatic
Angle of View	-IR1, -IR2: 36.5° ~ 15.2°
Infrared	
IR LED	4 pcs IR LED
IR Distance	60 ~ 70m
IR Intensity	Smart IR
Video	
Compression	H.264 / MJPEG
Image Resolution	Main stream: 960p Secondary stream: D1
Frame Rate	Main stream: 960p@30fps Secondary stream: D1@30fps
Bitrate	64kbps ~ 8Mbps
Bitrate Control	VBR / CBR
Dual-stream	Supported
Caption	Date and time / Alarm / Customized
Privacy Masking	Up to 4 zones
Motion Detection	Up to 4 zones
Video Freeze	Supported
Digital Noise Reduction	3D noise reduction
Image Flip	Flip / Mirror / Rotation at 90°, 180°, 270°
Audio	
Compression	G.711a / G.711u / ADPCM / G.722 / AAC-LC
Bitrate	32kbps ~ 64kbps
Audio Function	Bi-directional audio / AEC / Mixed audio recording / Dumb / Mute
Network	
Network Protocols	TCP/IP, UDP, HTTP, DHCP, DNS/DDNS, RTP/RTCP, RTSP, PPPoE, FTP, VSIP, IPv4, IPv6 (optional)
User Interface	IPC Control (IE)
Max. User Access	Max. 10 Users (includes 2 internal)
Application Programming	ONVIF (Profile S), GB/T 28181-2011, API, CGI
Automatic Network Replenishment (ANR)	Supported
Alarm	
Alarm Triggers	Motion detection / Alarm input
Alarm Events	Alarm caption / Snapshot / External output
Interfaces	
Ethernet	10/100M, RJ45 interface
Audio In / Out	1 x Line in / 1 x Line out
Control	1 x RS485
Alarm In / Out	1 x Input / 1 x Output
Video Out	1 x BNC, 1.0V [p-p] / 75Ω
Memory Slot	TF card slot, supports up to 128GB
Environmental	
Operating Temperature	-40°C ~ 70°C / -40°F ~ 158°F
Operating Humidity	10% ~ 95%
Protection Level	IP66
Electrical	
Power	24V AC ± 10%
Power Consumption	Max. 25W
Mechanical	
Weight	2.5kg / 5.5lb (Gross Weight)
Dimensions	288.3 x 141.4 x 110.8mm / 11.35" x 5.57" x 4.36"