

IPC2440-HN-S

4.0MP HD Network Mini Semi Dome Camera

KEDACOM



Features

Excellent Image Quality

- 2.0 Megapixel 1/3" progressive scan CMOS Sensor
- High definition and smooth picture, 1080p@30fps
- H.265 video codec, saves up to 50% bandwidth and storage
- Low illumination, 0.03lux with color picture
- WDR / HLC / 3D noise reduction

Mini size

- 0.5kg / 1.1lb
- $\Phi 97.62 \times 67.65\text{mm} / \Phi 3.85" \times 2.67"$

Intelligent

- Motion detection / Tampering / Guard line / Enter guard area / Exit guard area

A Variety of Installation Modes

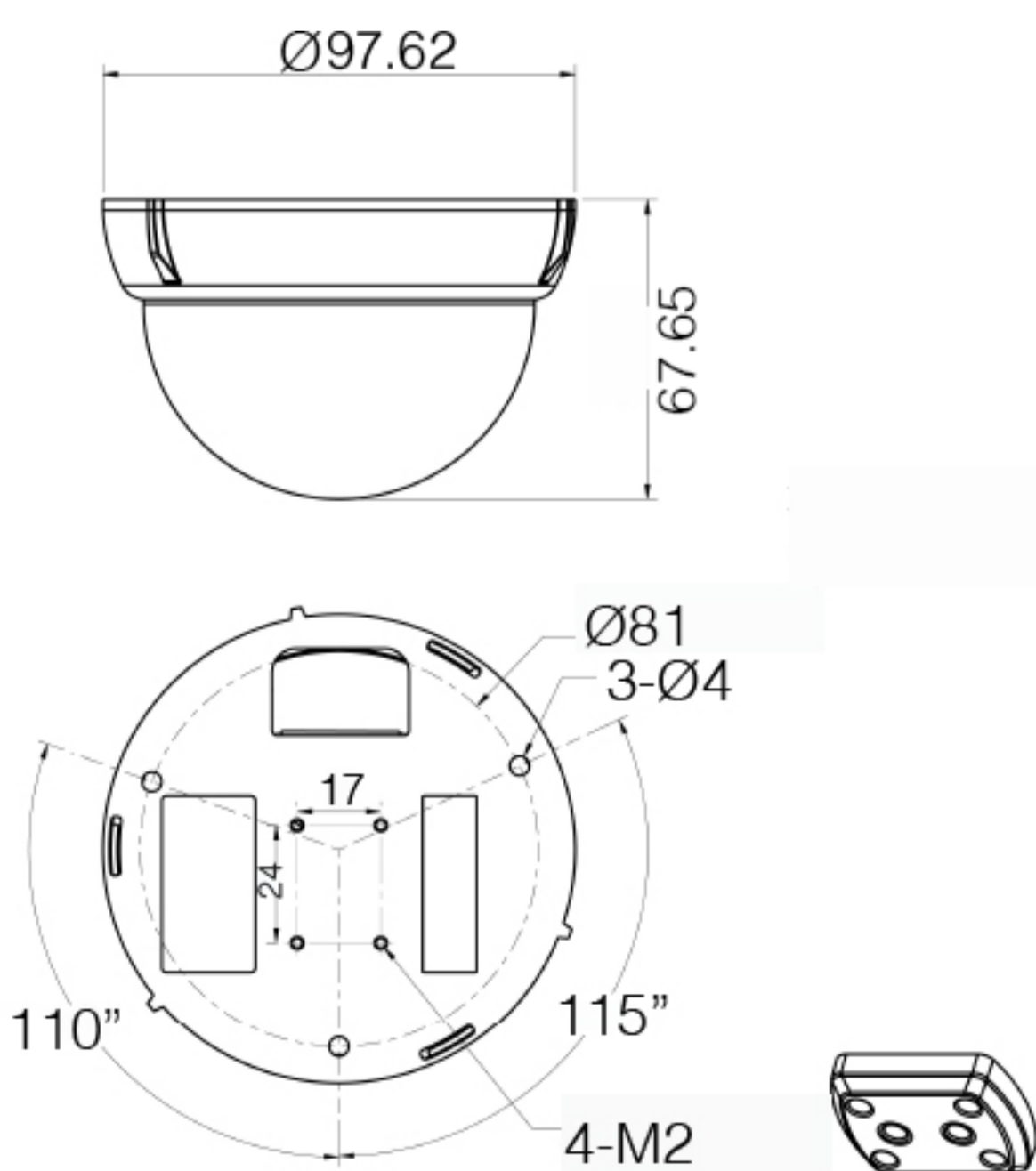
- Supports 90°, 180°, 270° image rotation

Abundant Functions and Features

- Supports Automatic Network Replenishment (ANR)
- Bi-directional audio / Built-in Mic / alarm in and out / video out / RS485
- 2 channel audio input simultaneously
- Dual-stream (1080p + D1)
- PoE
- IK10

Dimensions

Units: mm



Specifications

Model	IPC2440-HN -s
Camera	
Image Sensor	1/3" progressive scan CMOS
Pixels	4.0 Megapixel
Min. Illumination	Color: 0.05lux @ (F1.6, AGC ON) B/W: 0.005lux @ (F1.6, AGC ON)
Shutter Speed	1 ~ 1/30,000s
Day / Night	Auto (ICR) / Color / B/W
Wide Dynamic Range	Digital WDR
S/N Ratio	>50dB
White Balance	Auto / Manual
Gain Control	Auto / Manual
Backlight Compensation	Off / WDR / BLC / HLC
Lens	
Mount Type	M12
Focal Length	2.1mm (-L0210)
Angle of View	143.3° (-L0210)
Adjustment Range	Pan: -102.5° ~ 102.5° / Tilt: 0° ~ 70°
Video	
Compression	H.265 / H.264 / MJPEG
Resolution	Main stream: 2560x1440 Secondary stream: D1
Frame Rate	Main stream: 2592x1520@20fps, 2560x1440@25fps, 2048x1520@25fps, 1080p@30fps Secondary stream: D1@30fps
Bitrate	32kbps ~ 16Mbps
Bitrate Control	VBR / CBR
Dual-stream	Supported
Caption	Date and time / Alarm / Customized
Privacy Masking	Up to 4 zones
Motion Detection	Up to 4 zones
Video Freeze	Supported
ROI	Supported
Digital Noise Reduction	3D noise reduction
Digital Defog	Supported
Image Flip	Flip / Mirror / Rotation at 90°, 180°, 270°
Audio	
Compression	G.711a / G.711u / ADPCM / G.722 / AAC-LC / G.722.1c / G.726
Bitrate	32kbps ~ 64kbps
Audio Function	Bi-directional audio / AEC / Mixed audio recording / Dumb / Mute
Network	
Network Protocols	TCP/IP, UDP, HTTP, DHCP, DNS/DDNS, RTP/RTCP, RTSP, PPPoE, FTP, VSIP, UPnP, 802.1x, NAT, QoS, SMTP, IPv4, IPv6 (optional)
User Interface	IPC Control (IE, Firefox, Chrome)
Max. User Access	Max. 10 Users (includes 2 internal)
Application Programming	ONVIF (Profile S, Profile G), GB/T 28181-2011, API, CGI
Automatic Network Replenishment (ANR)	Supported
Alarm	
Alarm Triggers	Alarm input / Network disconnect / Disk full / Disk error
Intelligent	Motion detection / Tampering / Guard line / Enter guard area / Exit guard area
Alarm Events	Alarm report / Recording / Text overlay / Snapshot / External output / Email notice / Acoustic alarm
Interfaces	
Ethernet	10/100M, RJ45 interface
Audio In / Out	1 x Built-in Mic / 2 x Line in / 1 x Line out
Control	1 x RS485
Alarm In / Out	1 x Input / 1 x Output
Video Out	1 x BNC, 1.0V [p-p] / 75Ω
Memory Slot	TF card slot, supports up to 128GB
Environmental	
Operating Temperature	-40°C ~ 60°C / -40°F ~ 140°F
Operating Humidity	10% ~ 95%
Protection Level	IK10
Electrical	
Power	12V DC \pm 10% / PoE (IEEE802.3af)
Power Consumption	Max. 11W
Mechanical	
Weight	0.5kg / 1.1lb (Gross Weight)
Dimensions	$\Phi 97.62 \times 67.65\text{mm} / \Phi 3.85" \times 2.67"$

IR BULLET CAMERA
BOX CAMERA
SEMI DOME CAMERA
SPEED DOME CAMERA
IR SPEED DOME CAMERA
PTZ CAMERA
TRACKING SYSTEM
NETWORK VIDEO RECORDER
VIDEO MANAGEMENT SYSTEM
IP SAN
ENCODER & DECODER
MOBILE SOLUTIONS