

IPC2411-HN-DIR

4.0MP HD Network Semi Dome Camera

KEDACOM



Features

Excellent Image Quality

- 4.0 Megapixel 1/3" progressive scan CMOS Sensor
- High definition and smooth picture, 2592x1520@20fps, 2048x1520@25fps, 1080p@30fps
- H.265 video codec, saves up to 50% bandwidth and storage
- Low illumination, 0.05lux with color picture
- WDR / HLC / 3D noise reduction

Intelligent

- Motion detection / Tampering / Guard line / Enter guard area / Exit guard area

Integrated High Efficiency IR

- Industrial IR LED with long operational lifespan
- 30m IR distance
- SMART IR function

A Variety of Installation Modes

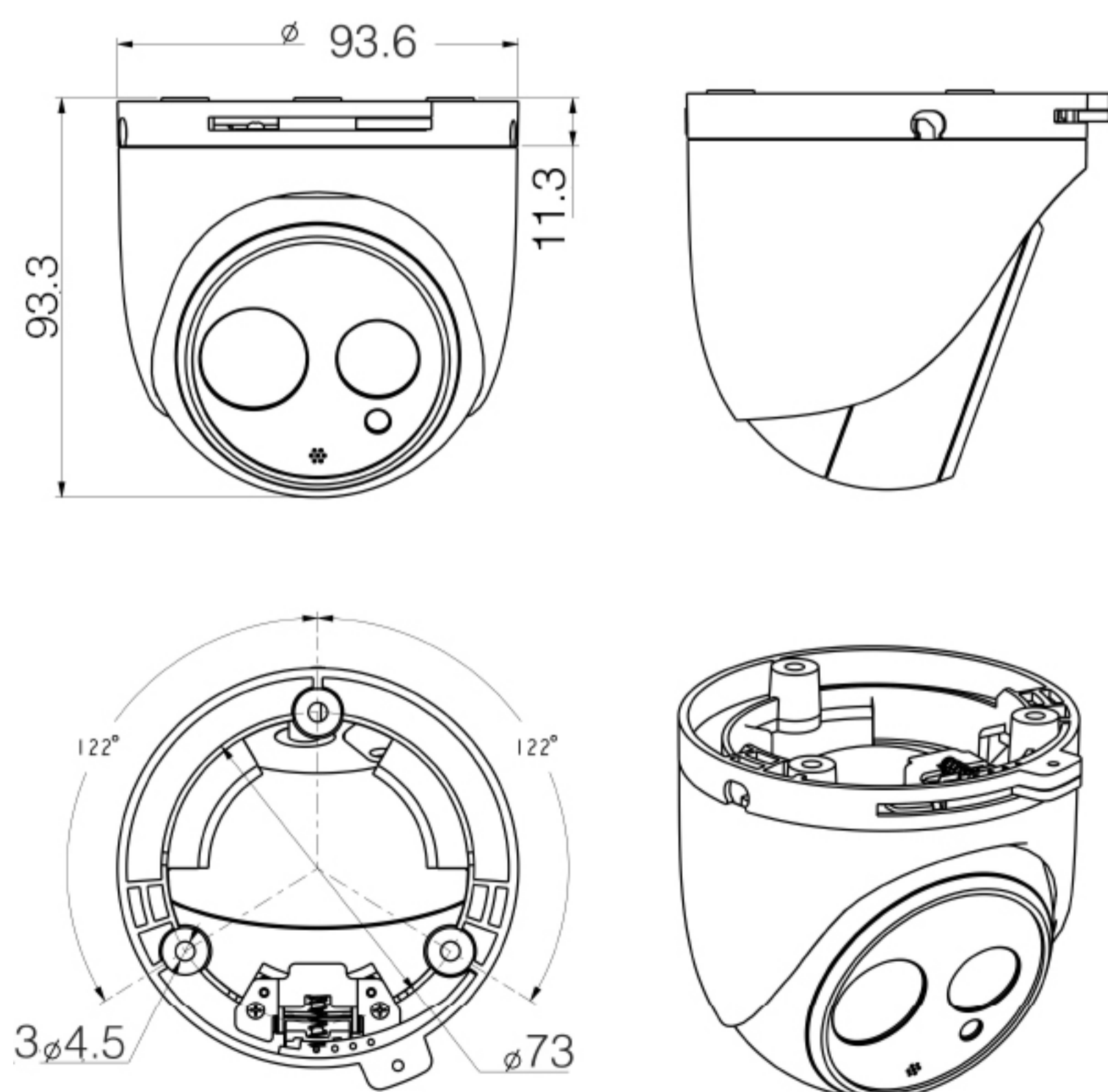
- Supports 90°, 180°, 270° image rotation

Abundant Functions and Features

- Built-in Mic
- Dual-stream (2592x1520 + D1)
- Anti-fog glass
- IP66

Dimensions

Units: mm



Specifications

Model	IPC2411-HN -DIR
Camera	
Image Sensor	1/3" progressive scan CMOS
Pixels	4.0 Megapixel
Min. Illumination	Color: 0.05lux @ (F1.6, AGC ON) B/W: 0lux with IR
Shutter Speed	1 ~ 1/30,000s
Day / Night	Auto (ICR) / Color / B/W
Wide Dynamic Range	Digital WDR
S/N Ratio	>50dB
White Balance	Auto / Manual
Gain Control	Auto / Manual
Backlight Compensation	Off / WDR / BLC / HLC
Lens	
Mount Type	M12
Focal Length	2.8mm (-L0280) / 3.6mm (-L0360) / 6mm (-L0600) / 8mm (-L0800)
Angle of View	101.2° (-L0280) / 78.6° (-L0360) / 53.2° (-L0600) / 36.8° (-L0800)
Adjustment Range	Pan: 0° ~ 360° / Tilt: 0° ~ 85° / Rotation: 0° ~ 360°
Infrared	
IR Distance	30m
IR Intensity	SMART IR
Video	
Compression	H.265 / H.264 / MJPEG
Image Resolution	Main stream: 2592x1520 Secondary stream: D1
Frame Rate	Main stream: 2592x1520@20fps, 2048x1520@25fps, 1080p@30fps Secondary stream: D1@30fps
Bitrate	64kbps ~ 16Mbps
Bitrate Control	VBR / CBR
Dual-stream	Supported
Caption	Date and time / Alarm / Customized
Privacy Masking	Up to 4 zones
Motion Detection	Up to 4 zones
ROI	Supported
Digital Noise Reduction	3D noise reduction
Digital Defog	Supported
Image Flip	Flip / Mirror / Rotation at 90°, 180°, 270°
Audio	
Compression	G.711a / G.711u / ADPCM / G.722 / AAC-LC
Bitrate	32kbps ~ 64kbps
Network	
Network Protocols	TCP/IP, UDP, HTTP, DHCP, DNS/DDNS, RTP/RTCP, RTSP, PPPoE, FTP, VSIP, UPnP, 802.1x, NAT, QoS, SMTP, IPv4, IPv6 (optional)
User Interface	IPC Control (IE, Firefox, Chrome)
Max. User Access	10 Users (includes 2 internal access)
Application Programming	ONVIF (Profile S, Profile G), GB/T 28181-2011, API, CGI
Alarm	
Alarm Triggers	Network disconnect
Intelligent	Motion detection / Tampering / Guard line / Enter guard area / Exit guard area
Alarm Events	Alarm report / Text overlay / Email notice
Interfaces	
Ethernet	10/100M, RJ45 interface
Audio	1 x Built-in Mic
Environmental	
Operating Temperature	-40°C ~ 60°C / -40°F ~ 140°F
Operating Humidity	10% ~ 95%
Protection Level	IP66
Electrical	
Power	12V DC ± 10% / External PoE (Optional)
Power Consumption	Max. 11W
Mechanical	
Weight	1kg / 2.2lb (Gross Weight)
Dimensions	Φ93.6 x 93.3mm / Φ3.69" x 3.68"

IR BULLET CAMERA

BOX CAMERA

SEMI DOME CAMERA

SPEED DOME CAMERA

IR SPEED DOME CAMERA

PTZ CAMERA

TRACKING SYSTEM

NETWORK VIDEO RECORDER

VIDEO MANAGEMENT SYSTEM

IP SAN

ENCODER & DECODER

MOBILE SOLUTIONS