

# IPC2431-HN-S

# KEDACOM

## 4.0MP Ultra WDR HD Network Vandal-proof Semi Dome Camera



### Features

#### Excellent Image Quality

- 4.0 Megapixel 1/3" progressive scan CMOS Sensor
- High definition and smooth picture, 2592x1520@30fps
- H.265 video codec, saves up to 50% bandwidth and storage
- Low illumination, 0.05lux with color picture
- 120dB Ultra WDR
- 3D noise reduction / Automatic Iris / HLC

#### Intelligent

- Motion detection / Tampering / Guard line / Defocus / Scene change / Enter guard area / Exit guard area / Object left / Object removal / Gathering / Audio surge

#### Vandal-Proof

- Above IK10 @ 50J collision energy

#### A Variety of Installation Modes

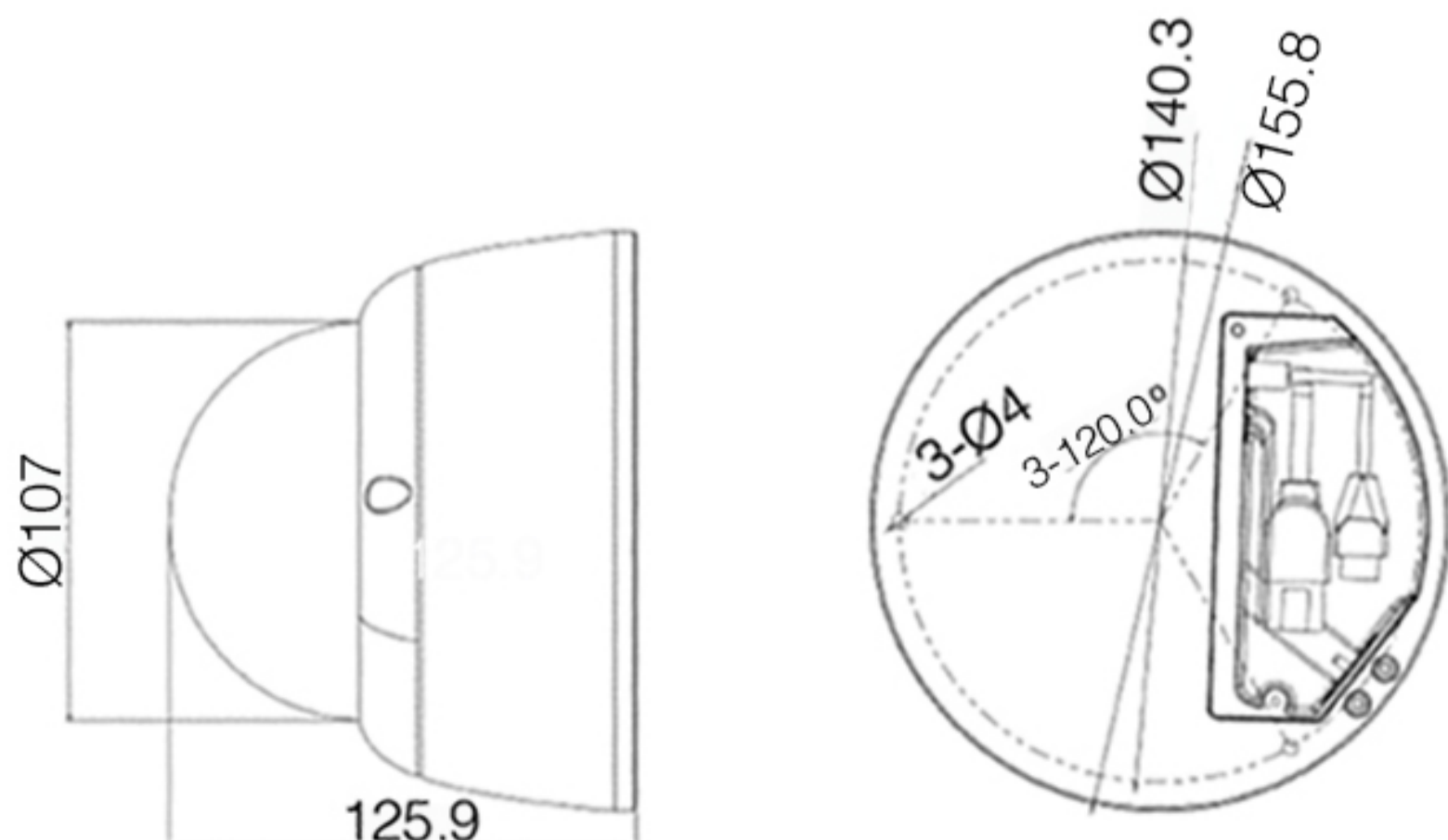
- Supports 90°, 180°, 270° image rotation
- Varifocal AF lens (-Z3009 only)

#### Abundant Functions and Features

- Supports Automatic Network Replenishment (ANR)
- Bi-directional audio / alarm in and out / video out / RS485
- 2 channel audio input simultaneously
- Up to 3 video streams
- PoE / Power output
- IP67

### Dimensions

Units: mm



### Specifications

Model	IPC2431-HN -S
<b>Camera</b>	
Image Sensor	1/3" progressive scan CMOS
Pixels	4.0 Megapixel
Min. Illumination	Color: 0.05lux @ (F1.4, AGC ON) B/W: 0.005lux @ (F1.4, AGC ON)
Shutter Speed	1 ~ 1/30,000s
Day / Night	Auto (ICR) / Color / B/W
Wide Dynamic Range	Ultra WDR, 120dB
S/N Ratio	>50dB
White Balance	Auto / Manual
Gain Control	Auto / Manual
Backlight Compensation	Off / BLC / WDR / HLC
<b>Lens</b>	
Mount Type	-Z3009: Ø14 -L0200 / -L0220: M12
Automatic Iris	-Z3009: DC drive -L0200 / -L0220: Fixed
Focal Length	-Z3009: 2.8~12mm @ F1.4 motorized varifocal lens -L0200: 2mm -L0220: 2.2mm
Focus Control	-Z3009: Manual / Semi-Automatic / Auto -L0200 / -L0220: Fixed
Angle of View	-L0200: 151° -L0220: 126° -Z3009: 106° ~ 33°
Adjustment Range	Pan: 0° ~ 355° / Tilt: 0° ~ 75° / Rotation: 0° ~ 355°
<b>Video</b>	
Compression	H.265 / H.264 / MJPEG
Image Resolution	Main stream: 2592x1520 Secondary stream: D1
Frame Rate	Main stream: 2592x1520@30fps Secondary stream: D1@30fps
Bitrate	32kbps ~ 16Mbps
Bitrate Control	VBR / CBR
Multi-stream	Supported
Caption	Date and time / Alarm / Customized
Privacy Masking	Up to 4 zones
Motion Detection	Up to 4 zones
Video Freeze	Supported
ROI	Supported
Digital Noise Reduction	3D noise reduction
Digital Defog	Supported
Image Flip	Flip / Mirror / Rotation at 90°, 180°, 270°
<b>Audio</b>	
Compression	G.711a / G.711u / ADPCM / G.722 / AAC-LC / G.722.1c / G.726
Bitrate	32kbps ~ 64kbps
Audio Function	Bi-directional audio / AEC / Mixed audio recording / Dumb / Mute
<b>Network</b>	
Network Protocols	TCP/IP, UDP, HTTP, DHCP, DNS/DDNS, RTP/RTCP, RTSP, PPPoE, FTP, VSIP, UPnP, 802.1x, NAT, QoS, SMTP, IPv4, IPv6 (optional)
User Interface	IPC Control (IE, Firefox, Chrome)
Max. User Access	Max. 10 Users (includes 2 internal)
Application Programming	ONVIF (Profile S, Profile G), GB/T 28181-2011, API, CGI
Automatic Network Replenishment (ANR)	Supported
<b>Alarm</b>	
Alarm Triggers	Alarm input / Network disconnect / Disk full / Disk error
Intelligent	Motion detection / Tampering / Guard line / Defocus / Scene change / Enter guard area / Exit guard area / Object left / Object removal / Gathering / Audio surge
Alarm Events	Alarm report / Recording / Text overlay / Snapshot / External output / Email notice / Acoustic alarm
<b>Interfaces</b>	
Ethernet	10/100M, RJ45 interface
Audio In / Out	2 x Line in / 1 x Line out
Control	1 x RS485
Alarm In / Out	1 x Input / 1 x Output
Video Out	1 x BNC, 1.0V [p-p] / 75Ω
Memory Slot	TF card slot, supports up to 128GB
Power Output	1 x DC12V / 0.1A Output
<b>Environmental</b>	
Operating Temperature	-40°C ~ 70°C / -40°F ~ 158°F
Operating Humidity	10% ~ 95%
Protection Level	IK10+ @50J, IP67
<b>Electrical</b>	
Power	AC24V±10% / DC12V ± 10% / PoE (IEEE802.3af)
Power Consumption	Max. 11W
<b>Mechanical</b>	
Weight	1kg / 2.2lb (Gross Weight)
Dimensions	Ø155.8 x 125.9mm / Ø6.14" x 4.96"

IR BULLET CAMERA

BOX CAMERA

SEMI DOME CAMERA

SPEED DOME CAMERA

IR SPEED DOME CAMERA

PTZ CAMERA

TRACKING SYSTEM

NETWORK VIDEO RECORDER

VIDEO MANAGEMENT SYSTEM

IP SAN

ENCODER & DECODER

MOBILE SOLUTIONS