

KDM2801H-G2

VMS - Video Management System

KEDACOM



Features

High-performance, High-capacity

- Up to 1000 channel per unit
- Max. 640Mbps incoming bandwidth
- Max. 640Mbps output bandwidth
- Up to 1000 users access simultaneously
- 8-level cascade
- 32 devices stack per level

High reliability

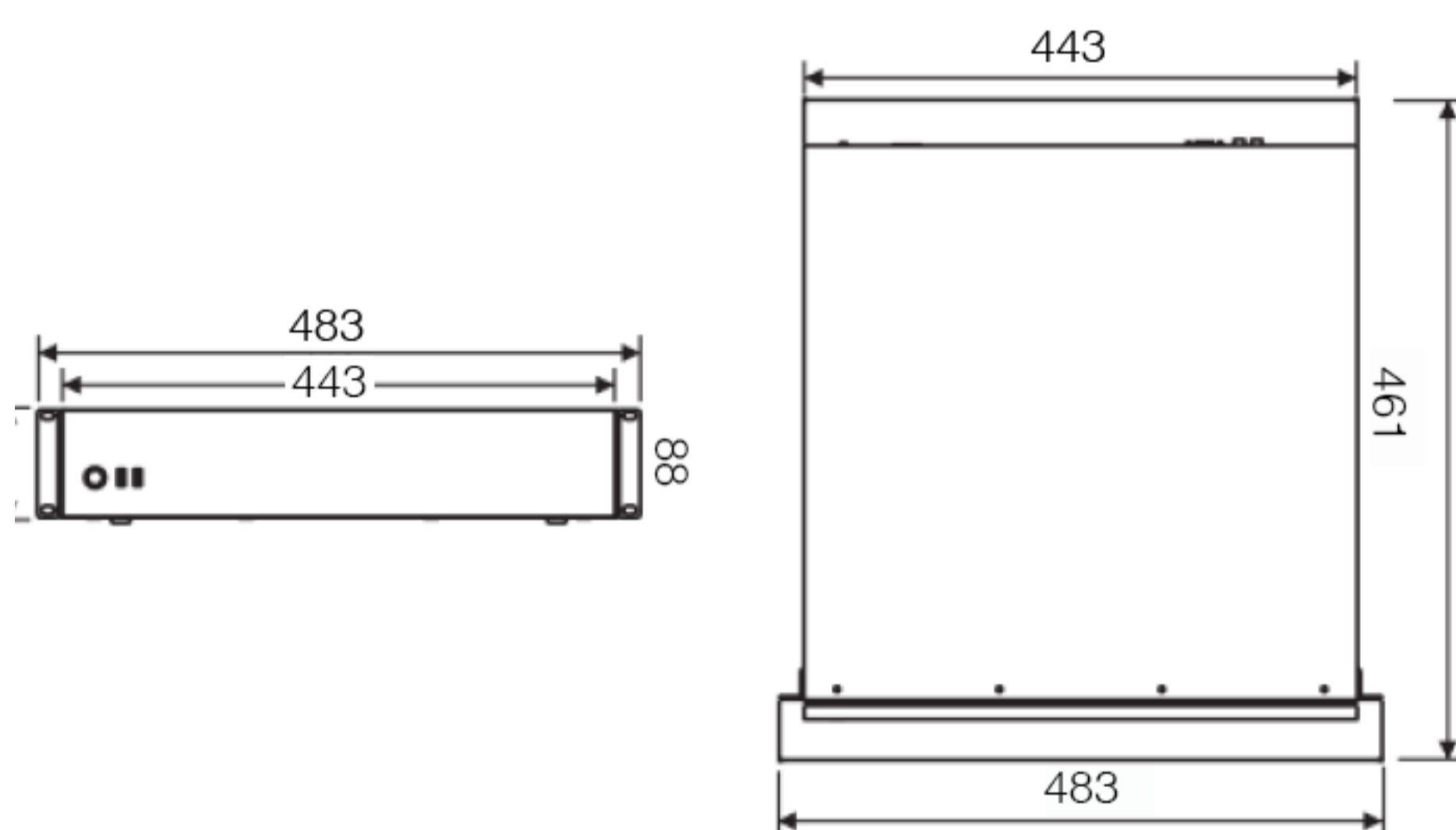
- Embedded Linux
- Supports Packet Loss Recovery (PLR)

Abundant functions and features

- E-Map, TV-Wall supported
- Bi-directional audio
- NAT, Socks5
- Alarm management
- Free Client (CU client)

Dimensions

Unit: mm



Specifications

Model	KDM2801H-G2
Capacity	
Access	1000 Channel
Stack	32 devices per level, up to 3,000 channels
Cascade	8-level, up to 20,000 channels
Incoming Bandwidth	Max. 640Mbps
Output Bandwidth	Max. 640Mbps
Live Viewing	
Multi Screen Display	up to 64 video windows
E-Map	Live Viewing in E-Map
Function	E-PTZ / Scheme / Polling / TV-Wall (optional with decoder)
Recording	
Mode	Manual / Continuous / Schedule / Event (Pre / Post)
Event Trigger	Alarm input / Video lost / Motion Detection
Search & Playback	
Search Mode	Date and time (Calendar) / Event
Playback Mode	Single Playback / Multi Playback / Synchronize Playback
Function	Slow forward / Fast forward / Loop / Single Frame / E-PTZ
Storage	
External	IP SAN (iSCSI), up to 31 x IP SAN
Video	
Compression	H.265 / H.264 / MPEG4
Image Resolution	QXGA, 1080p, UXGA, 960p, 720p, XGA, SVGA, D1, CIF, QCIF
Frame Rate	1 ~ 30fps
Bitrate	64kbps ~ 8Mbps
Audio	
Compression	G.711a / G.711u / ADPCM / G.722 / G.722.1c / AAC-LC
Bitrate	32kbps ~ 64kbps
Alarm	
Alarm Triggers	Alarm input / Video lost / Motion Detection / Disk alarm
Alarm Events	Snapshot / Recording / PTZ preset / Alarm out / Buzzer / Link to Client / Alarm caption
System	
Operating System	Embedded Linux
User Management	Super admin / Admin / User
Log Management	User login / User operation / Device / Alarm / Backup
Network	
Network Protocols	SIP, TCP/IP, UDP, HTTP, DHCP, DNS/DDNS, RTP/RTCP, RTSP, FTP, SNMP, VSIP
Viewer Software	CU Client
Max. User Access	1000 Users
Protocols	ONVIF, GB/T 28181-2011
Application Programming	CU SDK
Function	NAT / Socks5 / Multiple network access / Packet loss recovery
Interfaces	
Ethernet	2 x Gigabit network port, RJ45 interface
USB	4 x USB2.0
Control	1 x RS485
Video Out	1 x VGA, for debug only
Internal	2 x USB2.0, for USB license dongle
Environmental	
Operating Temperature	0°C ~ 55°C / 32°F ~ 131°F
Operating Humidity	10% ~ 90%
Electrical	
Power	100 ~ 240V AC, 50 ~ 60Hz
Power Consumption	Max. 25W
Mechanical	
Weight	13kg / 28.66lb (Gross Weight)
Dimensions	443 x 461 x 88mm / 17.44" x 18.15" x 3.46"

IR BULLET CAMERA

BOX CAMERA

SEMI DOME CAMERA

SPEED DOME CAMERA

IR SPEED DOME CAMERA

PTZ CAMERA

TRACKING SYSTEM

NETWORK VIDEO RECORDER

VIDEO MANAGEMENT SYSTEM

IP SAN

ENCODER & DECODER

MOBILE SOLUTIONS