

NVR1821-04A

4 Bay Professional Network Video Recorder



Features

High-performance, High-capacity

- H.265 supported
- 4 x 4K@30fps / 16 x 1080p@30fps video decoding capability
- Up to 64 channels
- Up to 320Mbps incoming bandwidth
- 256Mbps output bandwidth
- 64 user access simultaneously
- Max. 4 HDDs up to 32TB storage
- e-SATA storage supported

Easy to install

- Automatic network organizing
- Built-in DHCP server

High reliability

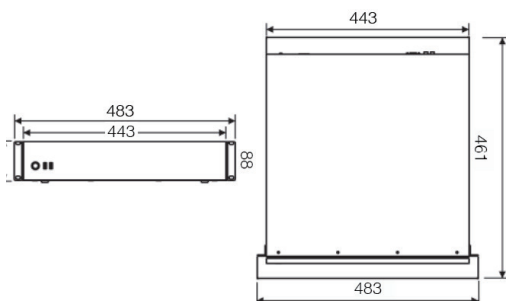
- Embedded Linux
- Low power consumption
- Supports Automatic Network Replenishment (ANR)
- Supports Packet Loss Recovery (PLR)
- N+1 Hot Backup

Abundant functions and features

- HDMI/VGA simultaneously output different content
- E-Map, TV-Wall supported
- Bi-directional audio, Broadcasting
- NAT, Socks5
- Alarm management
- Free CMS (NVR Station), supports 128 NVR simultaneously
- CMS supports 6 screens simultaneously (4 x Live viewing, 1 x E-Map, 1 x TV-Wall)

Dimensions

Units:mm



Specifications

| | NVR1821-04009A | NVR1821-04016A | NVR1821-04032A |
|---|---|--|--|
| Video/Audio Input | | | |
| IP Camera Input | 9 channel | 16 channel | 32 channel |
| Resolution | 8MP(4K), 6MP, 5MP, 4MP, 3MP, 1080p, UXGA, 960p, 720p, XGA, SVGA, D1, CIF, QCIF | | |
| Compression | H.265 / H.264 | | |
| Protocols | Onvif, RTSP, KEDACOM | | |
| Bitrate | 64kbps ~ 16384kbps | | |
| Incoming Bandwidth | 90Mbps | 160Mbps | 320Mbps |
| Live Viewing | | | |
| Local Display | 1 x HDMI, 1 x VGA, simultaneously output different content | | |
| Multi Screen Display Local monitor (Main / Secondary): | 1, 3, 4, 9, 1+4, 1+8, 1/1, 2/1, 4/1, 1+4/1 | 1, 3, 4, 9, 15, 16, 1+4, 1+8, 1+9, 1+15, 1/1, 2/1, 4/1, 9/1, 15/1, 16/1, 1+4/1, 1+8/1, 1+9/1, 1+15/1, 4/9, 9/4, 9/9, 16/16 | 1, 3, 4, 9, 15, 16, 25, 36, 1+4, 1+8, 1+9, 1+15, 1/1, 2/1, 4/1, 9/1, 15/1, 16/1, 36/1, 1+4/1, 1+8/1, 1+9/1, 1+15/1, 4/9, 9/4, 9/9, 16/16 |
| Multi Screen Display Client | up to 4 screens simultaneously: 1, 3, 4, 9, 12, 16, 20, 25, 30, 36, 42, 49, 56, 63, 64 1+5, 1+7, 1+8, 1+9, 1+11, 1+12, 1+13, 1+15, 1+16, 1+33, 1+47, 1+48 | | |
| E-Map Function | Live Viewing in E-Map (NVR Station) E-PTZ / Scheme / Polling / TV-Wall (optional with decoder) / Virtual channel | | |
| Recording | | | |
| Resolution | 8MP(4K), 6MP, 5MP, 4MP, 3MP, 1080p, UXGA, 960p, 720p, XGA, SVGA, D1, CIF, QCIF | | |
| Mode | Manual / Continuous / Schedule / Event (Pre / Post) | | |
| Event Trigger | Supported | | |
| Tag | Supported | | |
| Reliability | Automatic Network Replenishment (ANR) | | |
| Search & Playback | | | |
| Search Mode | Date and time (Calendar) / Event | | |
| Resolution | 8MP(4K), 6MP, 5MP, 4MP, 3MP, 1080p, UXGA, 960p, 720p, XGA, SVGA, D1, CIF, QCIF | | |
| Playback (Local Monitor) | 4 x 4K@30fps / 9 x 1080p@30fps | 4 x 4K@30fps / 16 x 1080p@30fps | |
| Playback (Client) | up to 16 x 4K@30fps | | |
| Synchronize Playback (Local Monitor) | 4 x 4K@30fps / 9 x 1080p@30fps | 4 x 4K@30fps / 16 x 1080p@30fps | |
| Synchronize Playback (Client) | 4 x 4K@30fps | | |
| Function | Slow forward / Fast forward / Loop / Single frame / E-PTZ / Slice playback | | |
| Storage | | | |
| Max. Internal HDDs | 4 x 3.5" HDD | | |
| RAID | Max. 32TB (up to 8TB/each) RAID 0/1/5/6/10 | | |
| External | IPSAN (iSCSI), up to 10 x IPSAN, Max. 100T (optional) e-SATA | | |
| Function | Disk group / Quota / Disk dormancy | | |
| Audio | | | |
| Compression | G.711a / G.711u / ADPCM / G.722 / G.722.1c / AAC-LC | | |
| Bit rate | 32kbps ~ 64kbps | | |
| Audio Function | Bi-directional audio / Dumb / Mute / Broadcasting | | |
| Alarm | | | |
| Alarm input / Video lost / Motion detection / Tampering / Guard line / Defocus / Scene change / Enter guard area / Exit guard area / Object left / Object removal / Gathering / Audio surge | | | |
| Service Alarm Triggers | Device disconnected / No disk / Disk error / IP Address conflict / Network disconnected / Low speed / Insufficient recording space / MAC address conflict / Insufficient snapshot space | | |
| System Alarm Triggers | Snapshot / Recording / PTZ preset / Buzzer / Email / Link to Client / Alarm caption / Live view in first window / Link to TV Wall / Link to secondary screen / Full screen viewing | | |
| Alarm Events | | | |
| System | | | |
| Operating System | Embedded Linux | | |
| User Management | Admin / User | | |
| Log Management | User login / User operation / Alarm / Backup / Update | | |
| Application Programming | NVR Station SDK | | |
| Network | | | |
| Network Protocols | TCP/IP, UDP, HTTP, DHCP, DNS/DDNS, RTP/RTCP, RTSP, PPPoE, FTP, SNMP, VSIIP, UPNP, SMTp, IPv4, IPv6 (optional) | | |
| Viewer Software | CMS (NVR Station) / Web / iOS app / Android app | | |
| Max. User Access | 64 Users | | |
| Output Bandwidth | 256Mbps | | |
| Function | NAT / Socks5 / Multiple network access / Packet loss recovery / Auto network organizing | | |
| Network Test | Supported | | |
| Hot Backup | N+1 | | |
| Interfaces | | | |
| Ethernet | 2 x Gigabit network port, RJ45 interface | | |
| Video Out | 1 x HDMI (up to 3840 x 2160@60Hz) 1 x VGA (up to 1920 x 1080@60Hz) | | |
| Audio In / Out | 1 x RCA Line in / 1 x RCA Line out | | |
| Alarm In / Out | 2 x Inputs / 2 x Outputs | | |
| Control | 2 x RS485 | | |
| USB | 2 x USB 2.0 1x USB3.0 | | |
| e-SATA | 1 x e-SATA | | |
| Environmental | | | |
| Operating Temperature | -10°C ~ 55°C / 14°F ~ 131°F | | |
| Operating Humidity | 10% ~ 90% | | |
| Electrical | | | |
| Power | 100 ~ 240V AC, 50 ~ 60Hz | | |
| Power Consumption | Max. 15W (HDD not included) | | |
| Mechanical | | | |
| Weight | 7.6kg / 16.72lb (HDD not included) | | |
| Dimensions | 443 x 461 x 88mm / 17.44" x 18.15" x 3.46" | | |