

LC2150-AN-D

1.3MP HD Network IR Bullet Camera

KEDACOM



Features

Excellent Image Quality

- 1.3 Megapixel 1/3" progressive scan CMOS sensor
- High definition and smooth picture, 960p@30fps
- H.264 high profile video codec, saves up to 30% bandwidth and storage
- Low illumination, 0.01lux with color picture
- WDR / 3D noise reduction

Integrated High Efficiency IR

- Industrial IR LED with long operational lifespan
- 30 ~ 50m IR distance
- Smart IR function

A Variety of Installation Modes

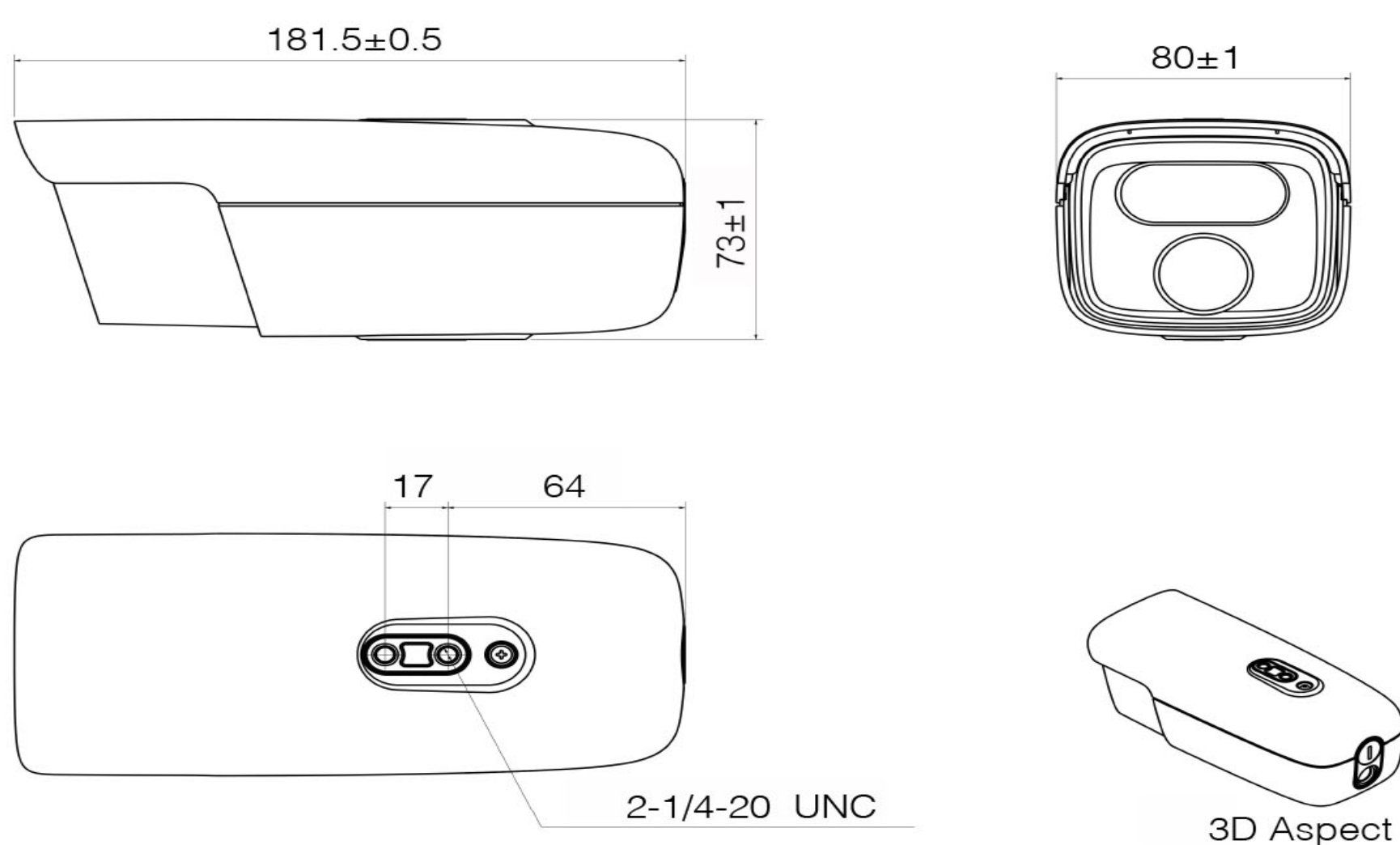
- Supports 90°, 180°, 270° image rotation

Abundant Functions and Features

- Supports Automatic Network Replenishment (ANR)
- Up to 3 video streams
- IP66

Dimensions

Units: mm



Specifications

Model	LC2150-AN -D(IR2, IR3, IR4, IR5, IR6)
Camera	
Image Sensor	1/3" progressive scan CMOS
Pixels	1.3 Megapixel
Min. Illumination	Color: 0.01lux @ (F1.6, AGC ON) B/W: 0lux with IR
Shutter Speed	1/10 ~ 1/10,000s
Day / Night	Auto (ICR) / Color / B/W
Wide Dynamic Range	Digital WDR
S/N Ratio	>50dB
White Balance	Auto / Manual
Gain Control	Auto / Manual
Backlight Compensation	Off / BLC / WDR
Lens	
Mount Type	M12
Focal Length	3.6mm (IR2) / 6mm (IR3) / 8mm (IR4) / 12mm (IR5) / 16mm (IR6)
Angle of View	75.6° (IR2) / 46.7° (IR3) / 35.3° (IR4) / 23° (IR5) / 16.9° (IR6)
Infrared	
IR LED	1 pc IR LED (IR2, IR3, IR4) 2 pcs IR LED (IR5, IR6)
IR Distance	30m (IR2, IR3, IR4) 50m (IR5, IR6)
IR Intensity	Smart IR
Video	
Compression	H.264 / MJPEG
Image Resolution	Main stream: 960p Secondary stream: D1
Frame Rate	Main stream: 960p@30fps Secondary stream: D1@30fps
Bitrate	32kbps ~ 16Mbps
Bitrate Control	VBR / CBR
Multi-stream	Supported
Caption	Date and time / Alarm / Customized
Privacy Masking	Up to 4 zones
Motion Detection	Up to 4 zones
Video Freeze	Supported
Digital Noise Reduction	3D noise reduction
Image Flip	Flip / Mirror / Rotation at 90°, 180°, 270°
Network	
Network Protocols	TCP/IP, UDP, HTTP, DHCP, DNS/DDNS, RTP/RTCP, RTSP, PPPoE, FTP, VSIP, UPnP, 802.1x, IPv4, IPv6 (optional)
User Interface	IPC Control (IE, Firefox, Chrome)
Max. User Access	Max. 10 Users (includes 2 internal)
Application Programming	ONVIF (Profile S), GB/T 28181-2011, API, CGI
Automatic Network Replenishment (ANR)	Supported
Alarm	
Alarm Triggers	Motion detection / Shield area / Network disconnect / Disk full / Disk error
Alarm Events	Alarm report / Recording / Alarm caption / Snapshot
Interfaces	
Ethernet	10/100M, RJ45 interface
Memory Slot	TF card slot, supports up to 128GB
Environmental	
Operating Temperature	-30°C ~ 60°C / -22°F ~ 140°F
Operating Humidity	10% ~ 95%
Protection Level	IP66
Electrical	
Power	12V DC ± 10%
Power Consumption	Max. 10W
Mechanical	
Weight	1kg / 2.2lb (Gross Weight)
Dimensions	181.5 x 80 x 73mm / 7.15" x 3.15" x 2.87"