

IPC421-FB

2.0MP Explosion-Proof HD 20x Network Speed Dome Camera



Features

Excellent Image Quality

- 2.0 Megapixel 1/2.8" progressive scan CMOS sensor
- High definition and smooth picture, 1080p@30fps
- H.265 video codec, saves up to 50% bandwidth and storage
- Ultra low illumination, 0.003lux with color picture
- 120dB Ultra WDR
- HLC / 3D noise reduction

Intelligent Functions

- Intelligent Functions
- Motion detection / Tampering / Guard line / Enter guard area / Exit guard area

Explosion-Proof

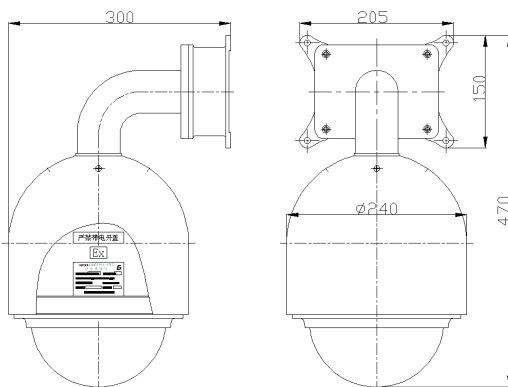
- Stainless steel enclosure with explosion-proof of Exd II CT6 / DIP A20 TA,T6
- Withstands operation temperatures of -40°C ~ 60°C
- IP68, TVS 6000V lightning protection, surge protection and voltage transient protection

Abundant Functions and Features

- SD card optional, supports Automatic Network Replenishment (ANR)
- Up to 3 Multi-stream

Dimensions

Units: mm



Specifications

IPC421-FB	
Camera	
Image Sensor	1/2.8" progressive scan CMOS
Pixels	2.0 Megapixel
Min. Illumination	Color: 0.003lux @ (F1.6, AGC ON) B/W: 0.0003lux @ (F1.6, AGC ON)
Shutter Speed	1 ~ 1/30,000s
Day / Night	Auto (ICR) / Color / B/W
Wide Dynamic Range	Ultra WDR, >=120dB
S/N Ratio	>53dB
White Balance	Auto / Manual
Gain Control	Auto / Manual
Backlight Compensation	Off / WDR / BLC / HLC
Lens	
Focal Length	4.7 ~ 94mm, 20x optical
Zoom Speed	Approx 3s (Optical)
Angle of View	61° ~ 3.64° (Wide~Tele)
Min. Object Distance	300 ~ 1000mm (Wide~Tele)
Max. Aperture Ratio	F1.6 (Wide) / F3.5 (Tele)
Focus Control	Auto / Manual / Semi-Automatic
Pan and Tilt	
Pan / Tilt Range	360° Endless / 0° ~ 90°
Pan / Tilt Speed	Pan manual speed: 0.1° ~ 250°/s; Pan preset speed: 450°/s Tilt manual speed: 0.1° ~ 150°/s; Tilt preset speed: 350°/s
Proportional Zoom	Pan / Tilt speed can be adjusted automatically according to zoom multiples
Patrol	8 Patrols scheme, up to 32 presets per patrol
Pattern Scan	4 Scan paths, each path can record 10 minutes of operation path
Power-off Memory	Power-off memory / Power-on recovery
Auto Guard	Path / Preset / Mixed / Pan scan / Tilt scan / Frame scan / Random scan / Panorama scan
PT Limit	Manual / Scan / Pan
3D Positioning	PTZ control with mouse click and drag
Video	
Compression	H.265 / H.264 / MJPEG
Image Resolution	Main stream: 1080p Secondary stream: D1
Frame Rate	Main stream: 1080p@30fps Secondary stream: D1@30fps
Bitrate	32kbps ~ 16Mbps
Bitrate Control	VBR / CBR
Multi-stream	Supported
Caption	Date and time / Alarm / Direction / Customized
Privacy Masking	Up to 4 zones
Motion Detection	Up to 4 zones
Video Freeze	Supported
ROI	Supported
Digital Noise Reduction	3D noise reduction
Digital Defog	Supported
Image Flip	Flip / Mirror
Network	
Network Protocols	TCP/IP, UDP, HTTP, DHCP, DNS/DDNS, RTP/RTCP, RTSP, PPPoE, FTP, VSIP, UPnP, 802.1x, NAT, QoS, SMTP, IPV4, IPV6 (optional)
User Interface	IPC Control (IE, Firefox, Chrome)
Max. User Access	Max. 10 Users (includes 2 internal)
Application Programming	ONVIF (Profile S, Profile G), GB/T 28181-2011, API, CGI
Automatic Network Replenishment (ANR)	Supported
Alarm	
Alarm Triggers	Network disconnect / Disk full / Disk error
Intelligent Alarm Events	Motion detection / Tampering / Guard line / Enter guard area / Exit guard area
Alarm Events	Alarm report / Recording / Text overlay / Snapshot / Email notice
Interfaces	
Ethernet	10/100M, RJ45 interface
Memory Slot	Built-in SD card (optional), supports up to 128GB
Environmental	
Operating Temperature	-40°C ~ 60°C / -40°F ~ 140°F
Operating Humidity	10% ~ 95%
Protection Level	IP68, TVS 6000V lightning protection, surge protection and voltage transient protection
Explosion-proof mark	Exd II CT6 / DIP A20 TA,T6
Electrical	
Power	-220: 220V AC ± 10% -110: 110V AC ± 10%
Power Consumption	Max. 55W (Heater on)
Mechanical	
Weight	20 kg / 44.09lb (Gross Weight)
Dimensions	Φ240 × 470mm / Φ9.45" × 18.5"
Mounting Bracket	Bracket included