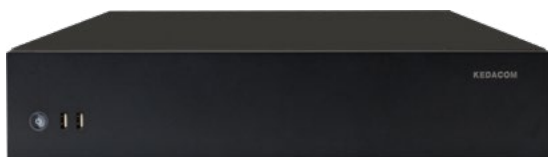


# NVR1821-08A

## 8 Bay Professional Network Video Recorder



### Features

#### High-performance, High-capacity

- H.265 supported
- 4 x 4K@30fps / 16 x 1080p@30fps video decoding capability
- Up to 64 channels
- Up to 320Mbps incoming bandwidth
- 256Mbps output bandwidth
- 64 user access simultaneously
- Max. 8 HDDs up to 64TB storage
- e-SATA storage supported

#### Easy to install

- Automatic network organizing
- Built-in DHCP server

#### High reliability

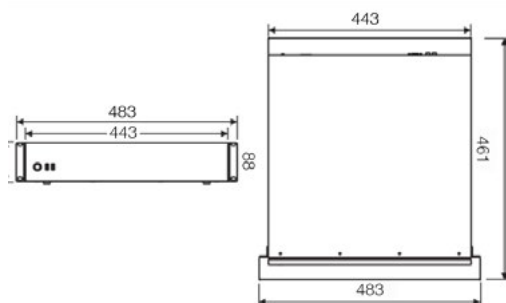
- Embedded Linux
- Low power consumption
- Supports Automatic Network Replenishment (ANR)
- Supports Packet Loss Recovery (PLR)
- N+1 Hot Backup

#### Abundant functions and features

- HDMI/VGA simultaneously output different content
- E-Map, TV-Wall supported
- Bi-directional audio, Broadcasting
- NAT, Socks5
- Alarm management
- Free CMS (NVR Station), supports 128 NVR simultaneously
- CMS supports 6 screens simultaneously (4 x Live viewing, 1 x E-Map, 1 x TV-Wall)

### Dimensions

Units:mm



### Specifications

|  | NVR1821-08009A  | NVR1821-08016A  | NVR1821-08032A   | NVR1821-08064A  |
|--|---|---|--|---|
| <b>Video/Audio Input</b>                               |   |   |  |   |
| IP Camera Input  | 9 channel   | 16 channel  | 32 channel   | 64 channel  |
| Resolution   | 8MP(4K), 6MP, 5MP, 4MP, 3MP, 1080p, UXGA, 960p, 720p, XGA, SVGA, D1, CIF, QCIF  |   |  |   |
| Compression  | H.265 / H.264   |   |  |   |
| Protocols  | Onvif, RTSP, KEDACOM  |   |  |   |
| Bitrate  | 64kbps ~ 16384kbps  |   |  |   |
| Incoming Bandwidth                                     | 90Mbps  | 160Mbps   | 320Mbps  | 320Mbps   |
| <b>Live Viewing</b>                                    | 1 x HDMI, 1 x VGA, simultaneously output different content  |   |  |   |
| Local Display  | 1, 3, 4, 9, 1+4, 1+8, 1/1, 2/1, 4/1, 1+4/1  | 1, 3, 4, 9, 15, 16, 1+4, 1+8, 1+9, 9/1, 15/1, 16/1, 1+4/1, 1+8/1, 1+9/1, 9/4, 9/9 | 1, 3, 4, 9, 15, 16, 25, 36, 1+4, 1+8, 1+9, 1+15, 1/1, 2/1, 4/1, 9/1, 15/1, 16/1, 36/1, 1+4/1, 1+8/1, 1+9/1, 1+15/1, 4/9, 9/4, 9/9, 16/16 | 1, 3, 4, 9, 15, 16, 25, 36, 48, 64, 1+4, 1+8, 1+9, 1+15, 1/1, 2/1, 4/1, 9/1, 15/1, 16/1, 36/1, 48/1, 64/1, 1+4/1, 1+8/1, 1+9/1, 1+15/1, 4/9, 9/4, 9/9 |
| Multi Screen Display Local monitor (Main / Secondary): |   |   |  |   |
| Multi Screen Display Client                            | up to 4 screens simultaneously:<br>1, 3, 4, 9, 12, 16, 20, 25, 30, 36, 42, 49, 56, 63, 64<br>1+5, 1+7, 1+8, 1+9, 1+11, 1+12, 1+13, 1+15, 1+16, 1+33, 1+47, 1+48                             |   |  |   |
| E-Map Function   | Live Viewing in E-Map (NVR Station)   |   |  |   |
| <b>Recording</b>                                       | E-PTZ / Scheme / Polling / TV-Wall (optional with decoder) / Virtual channel  |   |  |   |
| Resolution   | 8MP(4K), 6MP, 5MP, 4MP, 3MP, 1080p, UXGA, 960p, 720p, XGA, SVGA, D1, CIF, QCIF  |   |  |   |
| Mode   | Manual / Continuous / Schedule / Event (Pre / Post)   |   |  |   |
| Event Trigger  | Supported   |   |  |   |
| Tag  | Supported   |   |  |   |
| Reliability  | Automatic Network Replenishment (ANR)   |   |  |   |
| <b>Search &amp; Playback</b>                           |   |   |  |   |
| Search Mode  | Date and time (Calendar) / Event  |   |  |   |
| Resolution   | 8MP(4K), 6MP, 5MP, 4MP, 3MP, 1080p, UXGA, 960p, 720p, XGA, SVGA, D1, CIF, QCIF  |   |  |   |
| Playback (Local Monitor)                               | 4 x 4K@30fps / 9 x 1080p@30fps  |   | 4 x 4K@30fps / 16 x 1080p@30fps  |   |
| Playback (Client)                                      | up to 16 x 4K@30fps   |   |  |   |
| Synchronize Playback (Local Monitor)                   | 4 x 4K@30fps / 9 x 1080p@30fps  |   | 4 x 4K@30fps / 16 x 1080p@30fps  |   |
| Synchronize Playback (Client)                          | 4 x 4K@30fps  |   |  |   |
| Function   | Slow forward / Fast forward / Loop / Single frame / E-PTZ / Slice playback  |   |  |   |
| <b>Storage</b>   |   |   |  |   |
| Max. Internal HDDs                                     | 8 x 3.5" HDD  |   |  |   |
| RAID   | Max. 64TB (up to 8TB/each)<br>RAID 0/1/5/6/10   |   |  |   |
| External   | iPSAN (iSCSI), up to 10 x iPSAN, Max. 100T (optional)   |   |  |   |
| Function   | e-SATA<br>Disk group / Quota / Disk dormancy  |   |  |   |
| <b>Audio</b>   |   |   |  |   |
| Compression  | G.711a / G.711u / ADPCM / G.722 / G.722.1c  |   |  |   |
| Bit rate   | 32kbps ~ 64kbps   |   |  |   |
| Audio Function   | Bi-directional audio / Dumb / Mute / Broadcasting   |   |  |   |
| <b>Alarm</b>   |   |   |  |   |
| Service Alarm Triggers                                 | Alarm input / Video lost / Motion detection / Tampering / Guard line / Defocus / Scene change / Enter guard area / Exit guard area / Object left / Object removal / Gathering / Audio surge |   |  |   |
| System Alarm Triggers                                  | Device disconnected / No disk / Disk error / IP Address conflict / Network disconnected / Low speed / Insufficient recording space / MAC address conflict / Insufficient snapshot space     |   |  |   |
| Alarm Events   | Snapshot / Recording / PTZ preset / Buzzer / Email / Link to Client / Alarm caption / Live view in first window / Link to TV Wall / Link to secondary screen / Full screen viewing          |   |  |   |
| <b>System</b>  |   |   |  |   |
| Operating System                                       | Embedded Linux  |   |  |   |
| User Management  | Admin / User  |   |  |   |
| Log Management   | User login / User operation / Alarm / Backup / Update   |   |  |   |
| Application Programming                                | NVR Station SDK   |   |  |   |
| <b>Network</b>   |   |   |  |   |
| Network Protocols                                      | TCP/IP, UDP, HTTP, DHCP, DNS/DDNS, RTP/RTCP, RTSP, PPPoE, FTP, SNMP, VSIP, UPNP, SMTp, IPv4, IPv6 (optional)  |   |  |   |
| Viewer Software  | CMS (NVR Station) / Web / iOS app / Android app   |   |  |   |
| Max. User Access                                       | 64 Users  |   |  |   |
| Output Bandwidth                                       | 256Mbps   |   |  |   |
| Function   | NAT / Socks5 / Multiple network access / Packet loss recovery / Auto network organizing   |   |  |   |
| Network Test   | Supported   |   |  |   |
| Hot Backup   | N+1   |   |  |   |
| <b>Interfaces</b>                                      |   |   |  |   |
| Ethernet   | 2 x Gigabyte network port, RJ45 interface   |   |  |   |
| Video Out  | 1 x HDMI (up to 3840 x 2160@60Hz)   |   |  |   |
| Audio In / Out   | 1 x VGA (up to 1920 x 1080@60Hz)  |   |  |   |
| Alarm In / Out   | 1 x RCA Line in / 1 x RCA Line out  |   |  |   |
| Control  | 2 x RS485   |   |  |   |
| USB  | 2 x USB 2.0 1x USB3.0   |   |  |   |
| e-SATA   | 1 x e-SATA  |   |  |   |
| <b>Environmental</b>                                   |   |   |  |   |
| Operating Temperature                                  | -10°C ~ 55°C / 14°F ~ 131°F   |   |  |   |
| Operating Humidity                                     | 10% ~ 90%   |   |  |   |
| <b>Electrical</b>                                      |   |   |  |   |
| Power  | 100 ~ 240V AC, 50 ~ 60Hz  |   |  |   |
| Power Consumption                                      | Max. 15W (HDD not included)   |   |  |   |
| <b>Mechanical</b>                                      |   |   |  |   |
| Weight   | 7.6kg / 16.72lb (HDD not included)  |   |  |   |
| Dimensions   | 443 x 461 x 88mm / 17.44" x 18.15" x 3.46"  |   |  |   |